

[Madison Home](#) [1] » [Resources](#) [2] » Float Information

## Float Information

Madison Company offers a wide variety of standard floats, in both full and miniature sizes. Floats are available in stainless steel, polypropylene, Buna-N and Kynar. Also available are standard Interface Floats (for applications such as oil / water separation or detection).


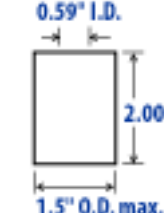

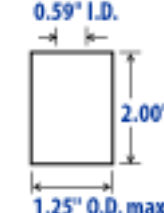

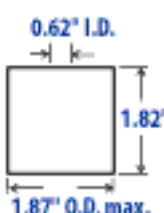
Madison can use custom floats on most standard and custom products to meet your most demanding requirements. [Contact us](#) [3] for details.

### Full-Size Floats

#### Stainless Steel

							
200-M03645	0.555" I.D. 1.31" 1.54" O.D. max.	200-M03196	0.595" I.D. 2.00" 2.13" O.D. max.	200-P00011	0.555" I.D. 2.05" O.D. max.	200-M03656	0.555" I.D. 3.5" O.D. max.
Max. Temp.	150°C	Max. Temp.	250°C	Max. Temp.	250°C	Max. Temp.	200°C
Max. PSIG	120	Max. PSIG	200	Max. PSIG	900	Max. PSIG	300
Float SG	0.61 ±.02	Float SG	0.55	Float SG	0.66	Float SG	0.28

#### Polypropylene

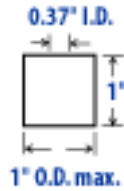
					
200-P00002	0.59" I.D. 2.00" 1.5" O.D. max.	200-P00004	0.59" I.D. 2.00" 1.25" O.D. max.	200-M03592	0.62" I.D. 1.82" 1.87" O.D. max.
Max. Temp.	105°C	Max. Temp.	105°C	Max. Temp.	105°C
Max. PSIG	100	Max. PSIG	150	Max. PSIG	150
Float SG	0.75	Float SG	0.45	Float SG	0.45

### Miniature-Size Floats

#### Stainless Steel

			
200-M03890	0.35" I.D. 1.19" 1.13" O.D. max.	200-P00055	0.35" I.D. 1.59" 0.90" O.D. max.
Max. Temp.	200°C	Max. Temp.	200°C

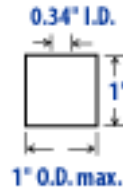
Max. PSIG 300  
 Float SG 0.70  
 Polypropylene



200-P00001  
 Max. Temp. 105°C  
 Max. PSIG 100  
 Float SG 0.80

Max. PSIG  
 Float SG

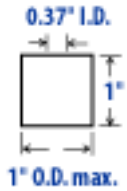
Buna-N



200-P00030  
 Max. Temp. 105°C  
 Max. PSIG 150  
 Float SG 0.45

250  
 0.73 ±.02

Kynar



200-M03582K  
 Max. Temp. 105°C  
 Max. PSIG 50  
 Float SG 0.85

## Interface Floats

Buna-N

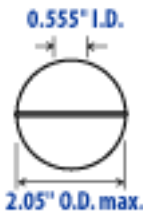


200-M03641-1  
 Max. Temp. 105°C  
 Max. PSIG 150  
 Float SG 0.95

Stainless Steel



200-P00090  
 Max. Temp. 250°C  
 Max. PSIG 900  
 Float SG 0.90



*Typical application: Oil and water separation, such as detecting water under petroleum products.*

**Source URL:** <https://www.madisonco.com/float-information>

### Links

- [1] <https://www.madisonco.com/>
- [2] <https://www.madisonco.com/resources>
- [3] <https://www.madisonco.com/contact-madison>